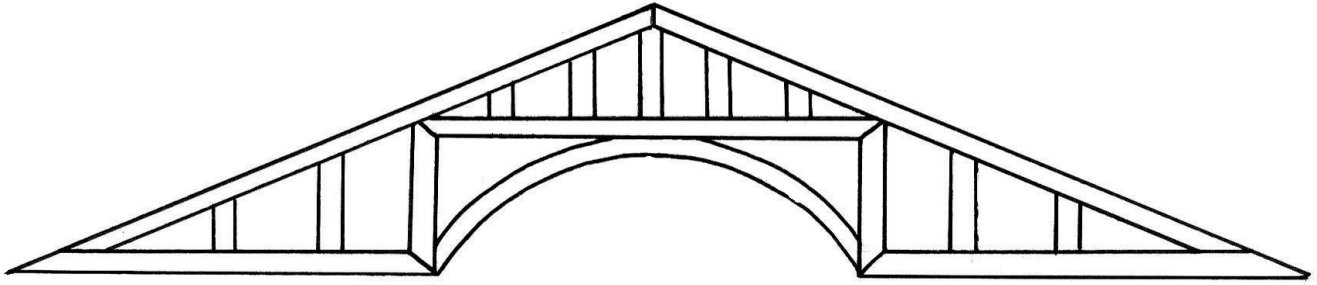
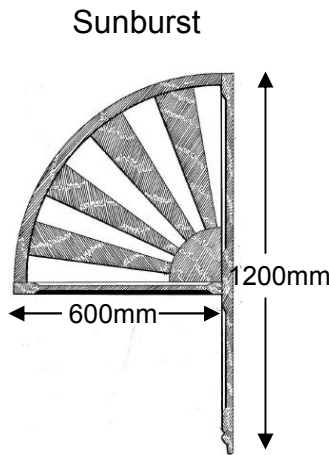
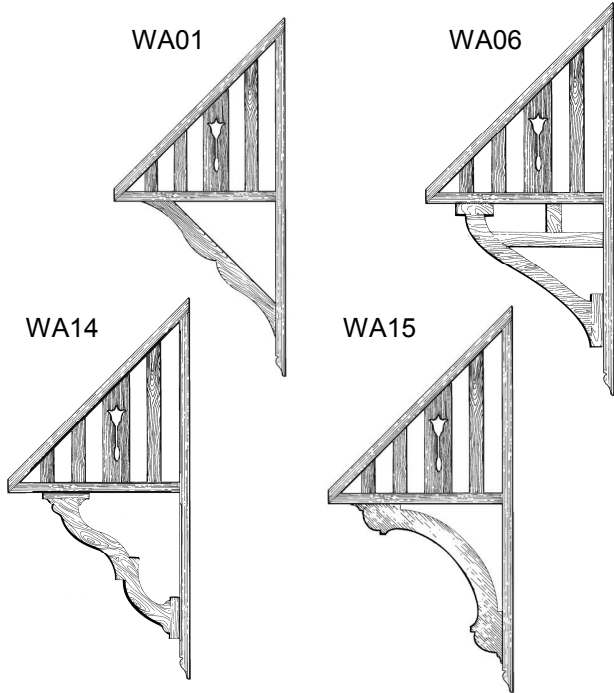


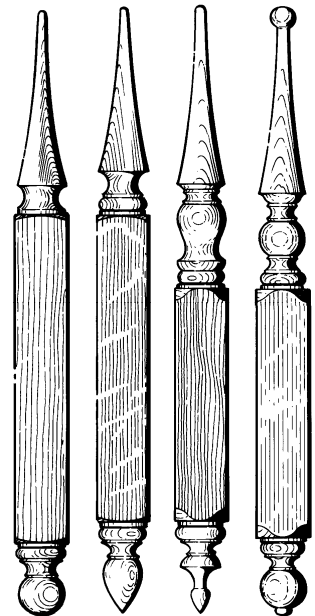
# GABLE FEATURES - MADE TO ORDER



## WINDOW AWNINGS



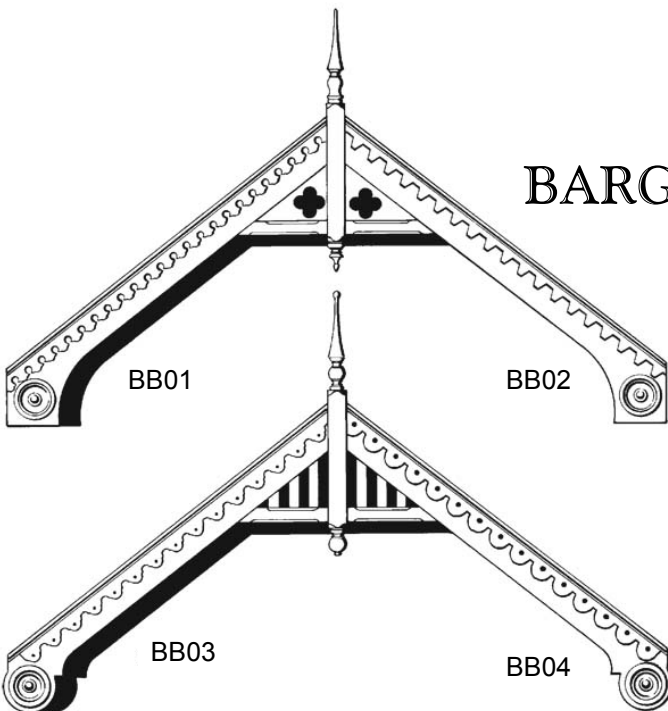
## FINIALS



FN01 FN02 FN03 FN04

**Note:** Window Awnings are manufactured from 70x32mm treated pine frame or from 90x42mm KDHW for tiled roofs. Other corner brackets and motifs may be used.

**Note:** Finials come in sizes of 50x50mm, 70x70mm, 95x95mm and 120x120mm with lengths of 450mm, 600mm, 900mm, 1200mm, 1500mm and 1800mm in LOSP treated pine.



## BARGE BOARD DECO

