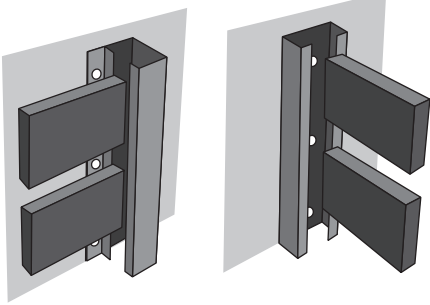


Choosing the right channel

Screen Up channel is available in Side Fix and Rear Fix configurations to suit 16mm or 19mm width timber slats.



Side Fix

Side of channel is fixed to wall.

Rear Fix

Rear of channel is fixed to wall.

Slat calculator

90mm Slats

Number of slats	Channel Length
18	1966
17	1857
16	1748
15	1639
14	1530
13	1421
12	1312
11	1203

70mm Slats

Number of slats	Channel Length
22	1962
21	1873
20	1784
19	1695
18	1606
17	1517
16	1428
15	1339
14	1250
13	1161

10	1094
9	985
8	876
7	767
6	658
5	549
4	440
3	331
2	222
1	113

12	1072
11	983
10	894
9	805
8	716
7	627
6	538
5	449
4	360
3	271
2	182
1	93

1.1m 2.0m

Channel length includes end caps, spacers & 'L' bracket. Always double check your timber sizes before cutting.

See our Screen Up video



To view our how-to video for Screen Up, simply scan the QR code with a smartphone or visit

www.whitesgroup.com.au/screenup

Before you start

Check components

- 1 x Channel
- 1 x 'L' bracket
- 2 x End caps
- 12 x Spacers for 1.1m channel OR
- 22 x Spacers for 2.0m channel

What you'll need

- Timber slats: 16mm or 19mm
- Button head screws
- Wall plugs (where required)
- Drill and screwdriver
- Tape measure and level
- Hack saw and hand saw

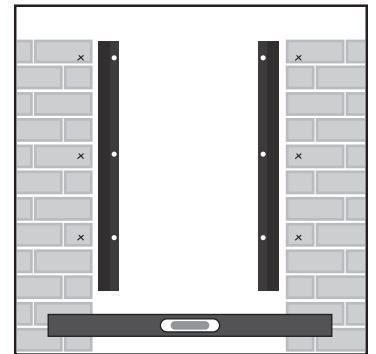
Step 1

Measure and mark up

Mark channel positions using a spirit level to check.

If required, use the slat calculator opposite to calculate the number of slats you will need.

Cut Screen Up to length if required.



Step 2

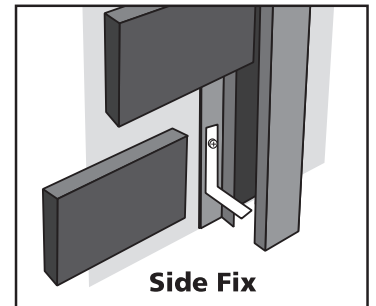
Install Screen Up channel

Insert bottom end cap and pre-drill the marked holes. Use fixings to attach the channels.

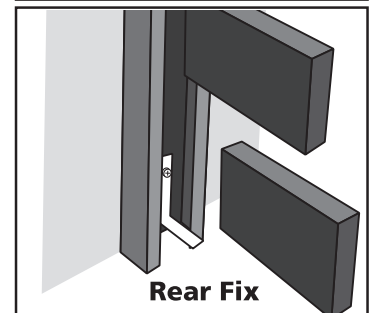
Position 'L' bracket at bottom hole and screw into place.

Handy Tips

- Oil, paint or stain your timber slats before assembly.
- For extra strength and longer spans a vertical brace is recommended
- To lock in slats turn top spacer sideways and screw through hole.



Side Fix



Rear Fix

Step 3

Finish with timber and spacers

Insert first timber slat, resting it on the 'L' bracket.

Insert spacers and timbers until you reach the top of the channel and finish with the top end cap.

